

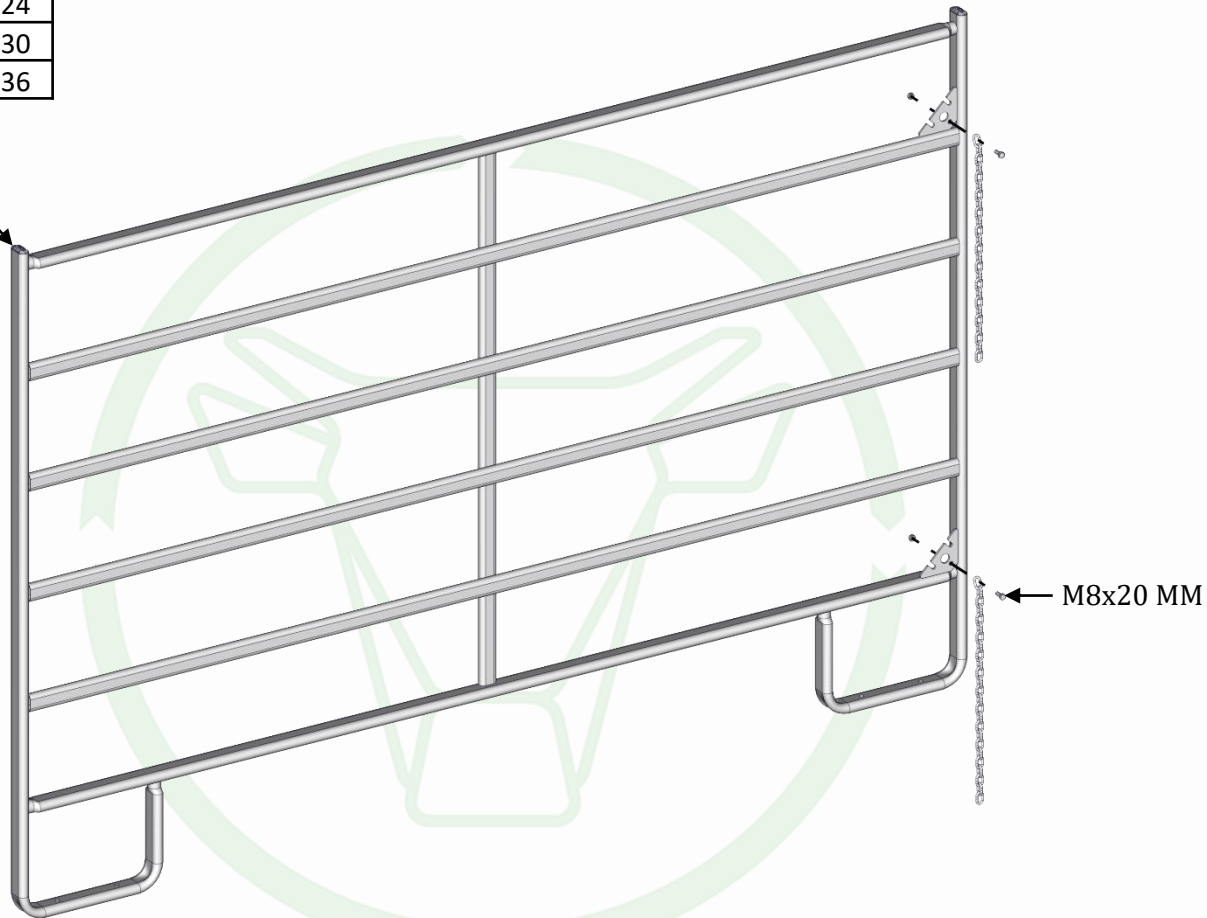
PA2200 - GATE FOR PANEL

THIS DOCUMENT IS THE EXCLUSIVE PROPERTY OF JOURDAIN SAS, IT IS PROVIDED ON A CONFIDENTIAL BASIS.
IT MUST NEITHER BE COPIED, NOR DISCLOSED TO A THIRD PARTY WITHOUT OUR WRITTEN AUTHORISATION

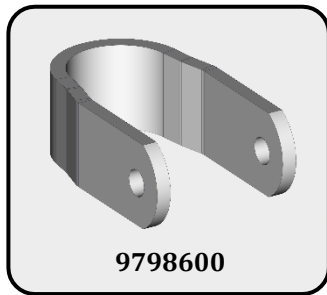
FTB

13/06/2025

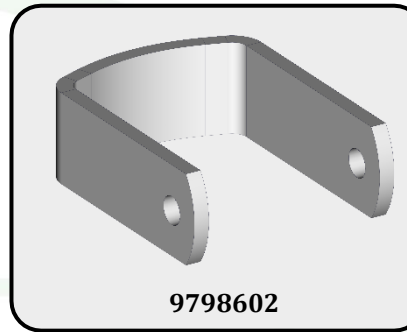
L.1.80M	PA1800*	7161218
L.2.40M	PA2400*	7161224
L.3.00M	PA3000*	7161230
L.3.60M	PA3600*	7161236



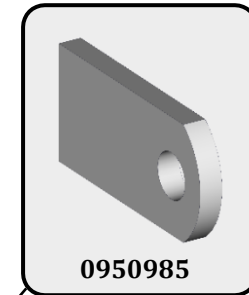
SAC 300*



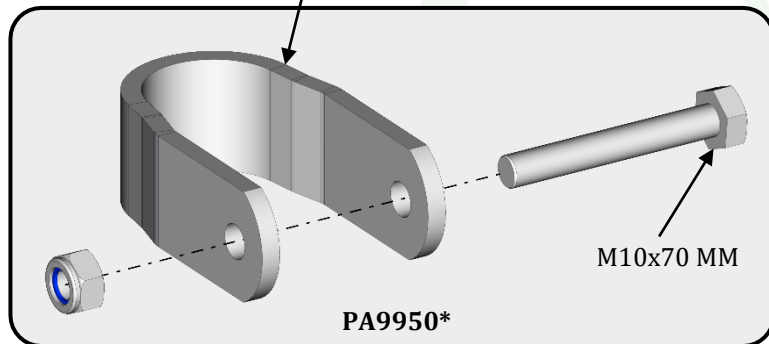
9798600



9798602

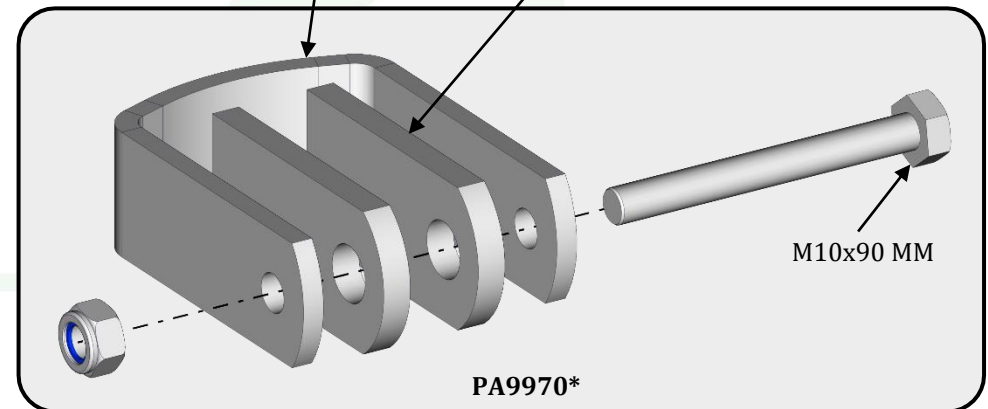


0950985



PA9950*

M10x70 MM



PA9970*

M10x90 MM