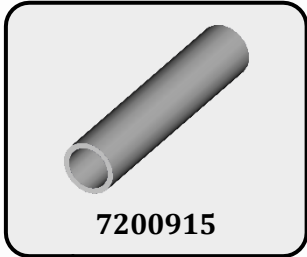


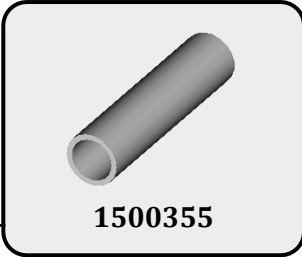
9898195

M10x150 MM

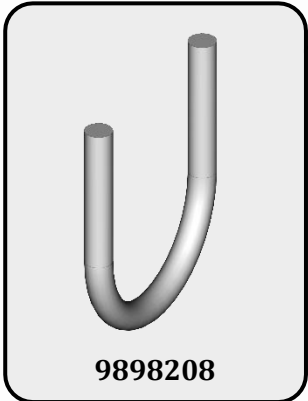


7200915

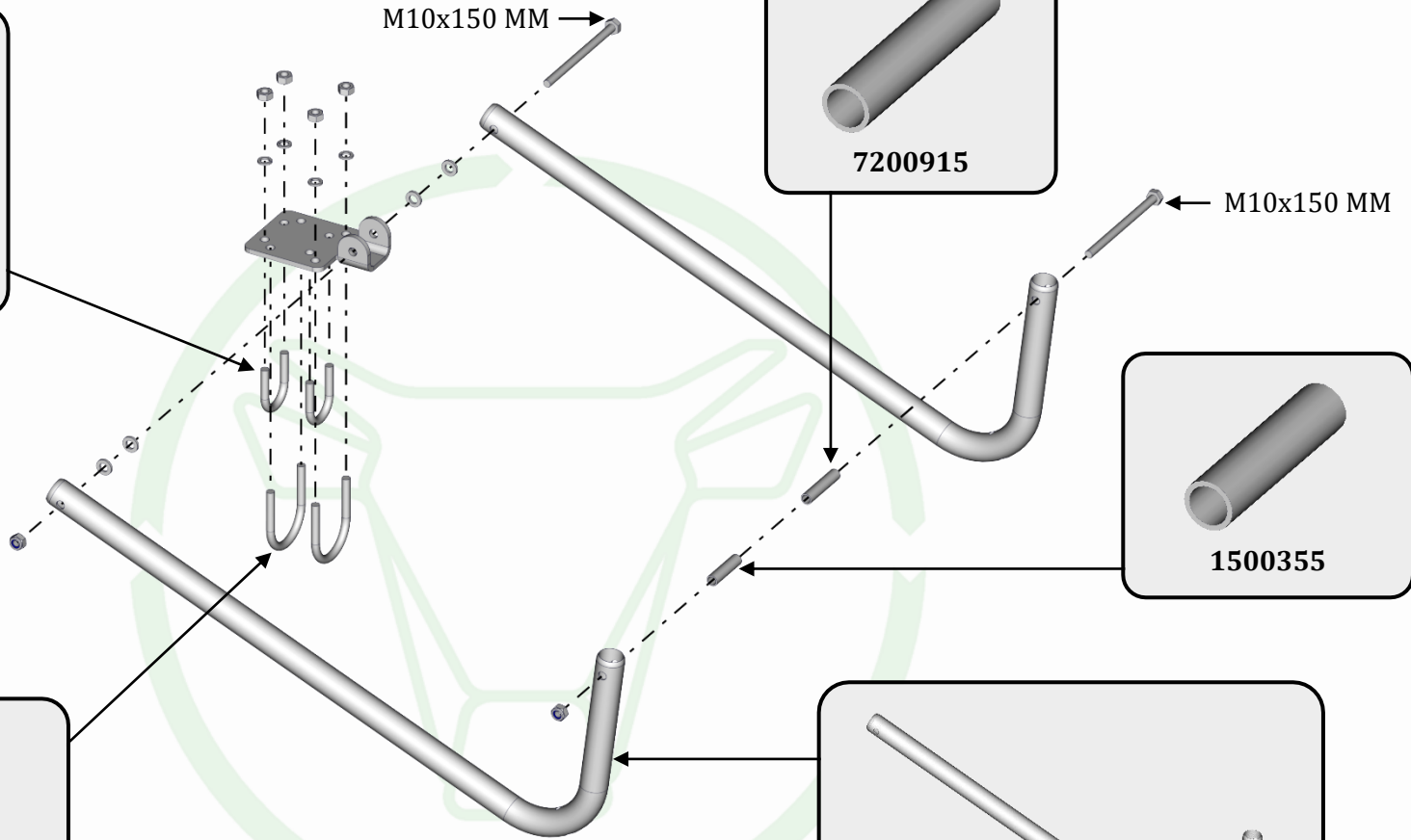
M10x150 MM



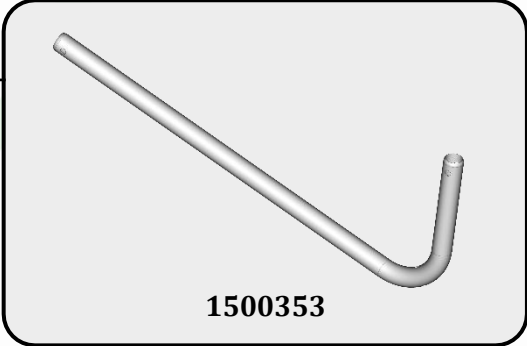
1500355



9898208



SAC 610



1500353



DOUBLE BARRIER LOCKING

THIS DOCUMENT IS THE EXCLUSIVE PROPERTY OF JOURDAIN SAS, IT IS PROVIDED ON A CONFIDENTIAL BASIS. IT MUST NEITHER BE COPIED, NOR DISCLOSED TO A THIRD PARTY WITHOUT OUR WRITTEN AUTORIZATION

FTB

24/10/2025